



More than products. Partnership.

MOSOR PK

Elastic snow plough for all weather conditions

MOSOR PK is a multi-segment snow plough available in widths from 2.7 to 5.0 m.

The elastic polyurethane connections of the plough's wings and beam ensure quieter operation of the plough, making it perfect for clearing snow in urban areas with a large number of obstacles (manholes, potholes, speed bumps, curb endings), but it also works effectively on open roads.



Multi-segment snow plough for quiet operation on all types of roads

MOSOR PK ploughs are highly elastic ploughs with a wide range of application, from open roads to narrow city streets. The plough is primarily intended for operation in urban areas with a large number of obstacles, shafts, potholes, speed bumps and curb endings. Its safe and efficient operation, with significantly reduced noise and vibrations, is made possible due to elastic polyurethane connections of the plough's wings and beam.

The elastic polyurethane connections in combination with side bumpers, which prevent the impact of side obstacles on wings, efficiently absorb vibrations and impacts and make MOSOR an excellent choice for use in urban and rural areas.

Due to its multi-segment construction and robustness, MOSOR PK handles open and wide roads well, removing larger quantities of snow without difficulty.

The polyurethane connections between the plough's wings and beam significantly reduce vibrations, which means less load on the plough itself, but also on the chassis of the vehicle onto which it is mounted.

MOSOR PK ploughs can be mounted on tractors, trucks and Unimog vehicles, which makes this plough the universal solution for wide and open roads, as well as for urban and rural areas.



WHY CHOOSE THE MOSOR PK SNOW PLOUGH?



✓ Quiet ploughing

Polyurethane connections of the plough's wings and beam, in combination with side bumpers which prevent the impact of side obstacles on wings ensure a quieter operation, making MOSOR PK perfect for use in urban and rural areas.



✓ Efficient snow clearing

Due to its robust and reliable multi-segment construction combined with polyurethane connections of the plough's wings and beam, MOSOR PK removes snow perfectly on wide and open roads as well as in populated areas.

For clearing larger amounts of snow, MOSOR PK can work with attack angle of 22°, while the attack angle of 15° is designed for clearing smaller amounts of snow at higher speeds.



✓ Ploughing speed

The specially shaped curve of the wing and the choice between two different attack angles of the wing allow for good clearing of snow even at low speeds, reducing the formation of snow drifts along roads.



✓ Lowest total cost of ownership

Its unique surface protection system, easiness of use and maintenance, robust design, high quality materials guarantee a safe investment in the MOSOR PK plough.

Proven durability, safety, efficiency, simplicity, and availability of service parts and post-sales support guarantee the lowest total cost of ownership of a spreader currently available on the market.

CHARACTERISTICS OF MOSOR PK SNOW PLOUGH PARTS



1 | Plough wings

The plough wings are made using robotic welding technology. The precise, computer-controlled production process ensures uniform quality of all plough elements. The SurfaceArmour surface protection system in combination with the welding technology and the chosen material for production serve as a guarantee of product durability and longevity.

7 | Mounting system

It enables the attachment of snow ploughs on vehicles in several ways – using different types of mounting plates for trucks and working vehicles or by front three-point attachment on tractors.

2 | Attack angle of the plough wing

The attack angle of the MOSOR PK snow plough wing can be 22° or 15°. For clearing larger amounts of snow, the attack angle of 22° is recommended, while the attack angle of 15° is suitable for clearing smaller amounts at higher speeds.

8 | Protection from snow

This protection is installed on the plough wing and protects the windshield from snow scatter, thus enabling safe and unhindered ploughing. Beside the standard rubber protection between the wings, our product range also offers protection from snow with steel reinforcement and hard plastic protection made of polyurethane.

3 | Plough beam

Reinforced double plough beam ensures the plough's resistance to vibrations and impacts. A high quality design enables the plough's longevity and robustness.

9 | Traffic signalisation

It improves the visibility of the snow plough and vehicle, thus ensuring safety during operation and transport. This may include flags, reflective marks, raised front headlights and turn indicators.



4 | Plough wing and beam connections

The wing and beam connections are made of polyurethane, i.e. they are “soft”. These enable efficient and comfortable ploughing of surfaces with a large number of obstacles, but also handle clearing snow on open roads well.

5 | Scrapers

Ploughs are equipped with scrapers, the choice of which depends on the surface that is being cleared. MOSOR PK ploughs can be equipped with steel, polyurethane, rubber or combined scrapers.

6 | Scraper clamps

The attachment of scrapers to wings can be performed by means of screws or steel clamps, which enables fast and simple replacement of scrapers.

10 | Supporting elements

Guide shoes and auxiliary wheels support the plough’s weight and prevent the plough from sinking into the ground. They extend the lifespan of scrapers and protect the plough and the surface that is being cleared from damage.

11 | Side bumpers

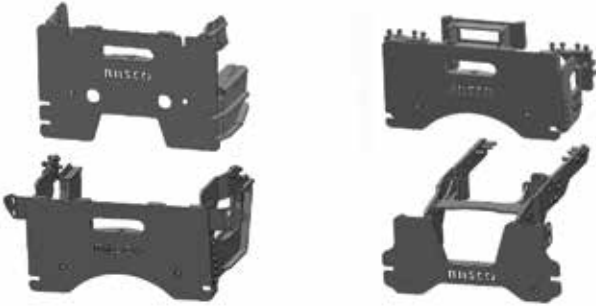
They are placed on the outer plough wings and prevent the damage of wings from side impacts of obstacles on the surface that is being cleared. Just like scrapers, they are disposable plough elements and can be easily replaced.

12 | Storage outside the season

Storage of ploughs outside the season is made easier with the use of storage legs. Storage legs protect the rubber and polyurethane scrapers from deformation, prevent damage of the surface on which the plough is placed and enable easier mounting of the plough on the vehicle.



Easy mounting on all types of vehicles



Mounting using mounting plates

RASCO offers the possibility of creating and installing mounting plates for various trucks and tractors. All mounting plates are created in accordance with the current standards, which guarantees high quality and resistance to damage such as torsion or bending.

Designed for complete efficiency during the operation of attachments and adjustable according to vehicle height, mounting plates enable fast and simple installation of snow ploughs on all types of vehicles.



Front three-point attachment on tractors

Beside the possibility of mounting plates for tractors, RASCO snow ploughs can be mounted on front tractor three point hitch if it is equipped with the same.





Solution for vehicles with and without built-in hydraulic system

Vehicles with built-in hydraulic system

MOSOR PK ploughs can be powered using a built-in hydraulic system of the vehicle if it is designed according to the EN ISO 15431 standard.

If the hydraulic system of the vehicle is equipped with Load Sensing, the spreader must be equipped with a compatible hydraulic installation that is available as an option.



Vehicles without built-in hydraulic system

Power via electro-hydraulic power unit

One of the methods of powering the snow plough is the installation of an electro-hydraulic power unit (EHAG) that connects to the vehicle's electrical system.

The EHAG is recommended when there is no need for frequent adjustments of the position of the plough, as in the case with open intercity roads, otherwise the battery of the vehicle may be discharged.



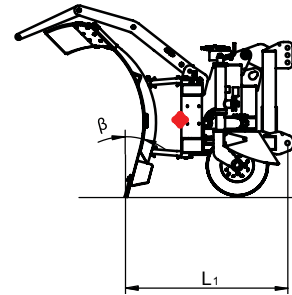
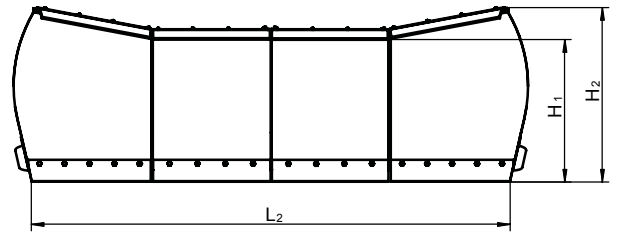
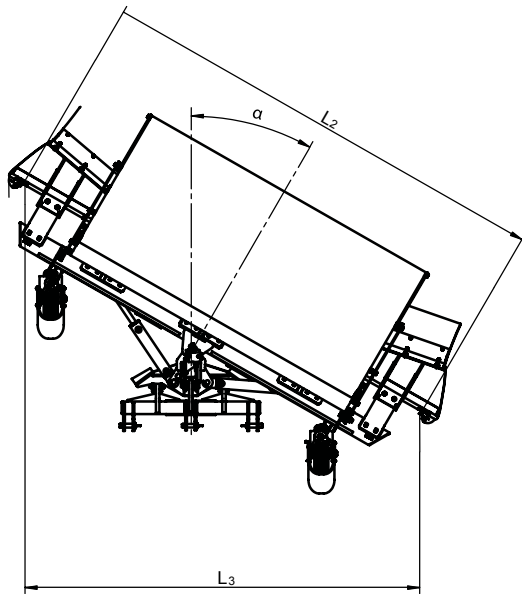
Power via diesel-hydraulic power unit

The snow plough can also be powered via the connection to a diesel-hydraulic power unit installed on the spreader.

Powering via the diesel-hydraulic power unit is recommended when the vehicle is not equipped with an adequate hydraulic system.



TECHNICAL CHARACTERISTICS



Model	L3 - Clearing width at a turn of		L2 - Width at the scrapers	Height		β - Angle of incidence
	30°	36°		H1 - Inner wing	H2 - Outer wing	
	mm			mm		
2.7	2340	2180	2700	1100	1200	15° / 22°
3.0	2600	2430	3000			
3.2	2770	2590	3200			
3.2/3	2770	2590	3200			
3.4	2950	2750	3400			
3.6	3120	2910	3600			
4.0	3460	3240	4000			
4.5	3900	3640	4500			
5.0	4330	4050	5000			
	32°	36°				
	mm					
5.6	4750	4530	5600	1100	1240	15° / 25°
6.4	5430	5180	6400			
7.2	6105	5825	7200			

CHOICE OF SNOW PLOUGH EQUIPMENT

- Steel scrapers
- Polyurethane scrapers
- Rubber scrapers
- Scraper clamps
- Front-panel attachment with level cylinder
- Front tractor hydraulic lever three-point attachment
- Guide shoes
- Auxiliary wheels
- Protection from snow
- Reflective marks
- Turn indicators
- Clearance marker lights
- Flags
- Storage legs
- Storage legs with wheels
- Electro-hydraulic power unit



RASCO d.o.o.
Kolodvorska 120b
HR - 48361 Kalinovac
CROATIA

+385 48 883 112
rasco@rasco.hr

RascoCompany
Rasco_company

RascoTV
RASCO d.o.o.