



More than products. A partnership.

MMS

Device for preparing wet and liquid spreading solutions





Device for preparing wet and liquid spreading solutions

MMS is a device used for preparing solutions (CaCl₂, NaCl, MgCl₂, urea) for pre-wetting or liquid spreading on roads. It enables the dissolution of spreading materials by creating a vortex within the tank with the use of a high-flow pump. The liquid is automatically mixed by the pump, and when the desired concentration of the solution is achieved, the same pump can be used for filling the spreader or transferring the prepared solution to additional tanks.

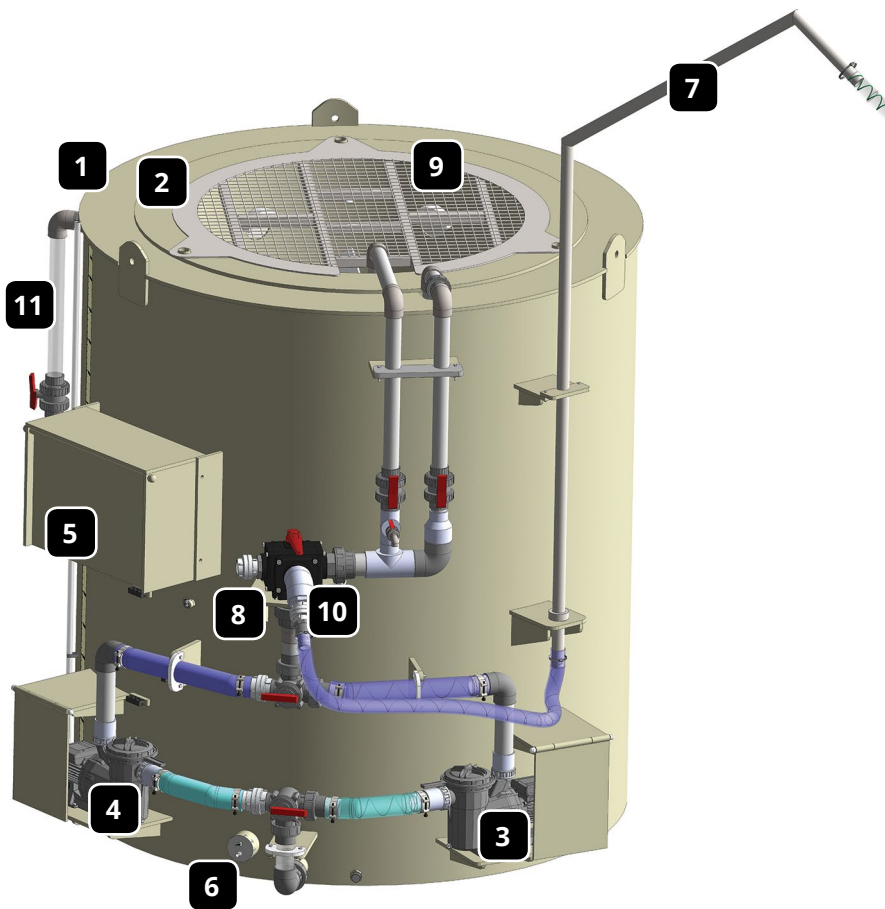
Additional tanks can have a volume of up to 30,000 litres as well as their own pumps that enable the maintenance of solution concentration and prevent the accumulation of material during longer periods of storage.

Two functional characteristics of MMS enable efficient dissolution of materials. The high capacity pump uses a system of nozzles to moisturise the dry material, thus supporting its fast dissolution in the vortex created within the MMS tank. The tank's construction enables the creation of a strong vortex and minimises the accumulation of undissolved material in hard to reach spots.

The key to correct preparation of spreading solutions for roads is a precise concentration of the spreading material in water. This is why MMS and additional tanks can be equipped with an additional electronic system for measuring concentration, which can also control the work of the mixing pump if necessary.

The construction of the MMS device enables minimal maintenance costs. The device's tank is made from a special polyethylene material resistant to UV radiation, temperature changes and impacts. Material is loaded in the MMS spreader through a special screen which is easily removed and washed, enables faster dissolving of materials and prevents the entry of large pieces of material and contaminants. The bottom of the device has two levels for reducing accumulation of material, as well as in-built apertures for removing contaminants that are not water soluble.





Digital monitoring of brine concentration (optional)

Electronic concentration meter is a digital device for continuous measurement of the brine concentration with temperature compensation and display on the screen in %, with an accuracy of 0.5%. The device can, if necessary, control the operation of the mixing pump to maintain the desired salt concentration of the brine solution.



1 | Housing

Used to produce and change the concentration of the brine solution. It is made of corrosion resistant material.

4 | Backup pump

Replaces the main pump in case of emergency.

7 | Folding spreader filling arm

Used for filling of the spreader tanks that have openings at the top.

10 | Spreader filling connector

Enables filling of the spreader tank. By connecting the control panel of the device to the spreader, it is possible to automatically switch off the pump when the level of wet agent in the spreader tanks reaches its maximum.

2 | Solid agent funnel

It is used to pour the solid agent needed to accomplish adequate brine mixture.

5 | Control cabin

Contains electric pump controls.

8 | Connection port for filling directly from hydrant network

Used to fill the device with water.

11 | Level meter

It is used to monitor the water or mixture level in the device.

3 | Main pump

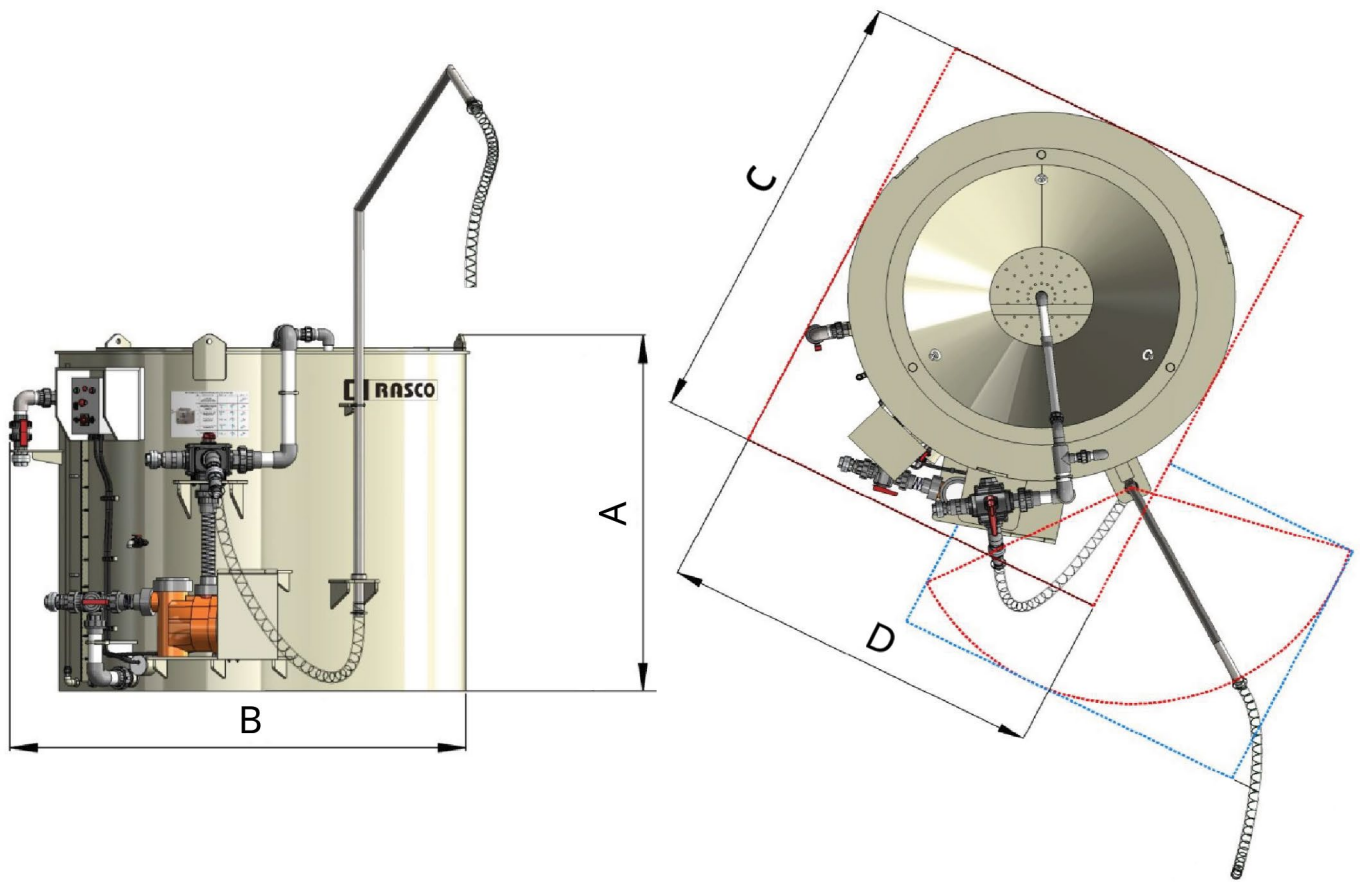
It has several roles: mixing the solution in the base device, filling and mixing additional tanks or filling the spreader.

6 | Agent minimum sensor

Automatically shuts off the pump when the brine level in the tank falls below the minimum.


9 | Safety net

Prevents large lumps of solid agent falling, and therefore damage to the device.





MMS		4.0	5.0	6.0	8.0	
A	Overall height of the device	1510	1710	1930	2500	
B	Length of the device housing up to the valve for filling the device	2485				
C	Transport length of the device - from the housing to the farthest point	2660				
D	Transport width of the device	2240				
Housing material		PE				
	Base device capacity	m ³	4	5	6	8
	Pump capacity	36 000 L / min				
	Connecting hose for a spreader	2"				
	Additional tanks capacity*	L	5000 / 10 000 / 15 000 / 20 000 / 30 000			
*multiple tanks can be connected in a series						



 **RASCO d.o.o.**
Kolodvorska 120b
HR - 48361 Kalinovac
Croatia

 +385 48 883 112
 rasco@rasco.hr

 RascoCompany
 Rasco_company

 RascoTV
 RASCO d.o.o.