



More than products. A partnership.

VITER

For all weather conditions on every road

VITER is a multi-segment snow plough available in widths from 3.0 to 4.5 m.

It is ideal for clearing snow in cities, villages, open roads and in the mountains, regardless of the intensity of snowfall. It can adapt to all conditions with combining one of three available wing heights, two attack angles and straight or elevated side segments of the wing.





Multi-segment snow plow for snow clearing in all weather conditions

VITER is a powerful snow plow for clearing snow in all weather conditions. It is designed for working in wide and open roads, mountains, as well as populated areas.

The user can choose between three different wing heights: 1000, 1100, 1200 mm, attack angles of 15° and 25° and flat or elevated side wing segments. By combining these elements, the plow is adapted to the user's specific working conditions.

With a wing height of 1000 mm and an attack angle of 15°, VITER is ideal for quiet cleaning of populated areas. The most powerful model with 1200 mm height, raised side wings and an attack angle of 25° removes snow up to 50 cm deep.

Efficient operation in the most difficult weather conditions is enabled by a strong wing structure, with additional reinforcements and high impact resistance when clearing snow.

The attack angle, axial tilt and choice between scrapers enable complete adjustment to the surface which is being cleaned.

Robust snow protection protects the vehicle's windscreen and enables continuous snow clearing at higher speeds.

VITER can be mounted on trucks, tractors and Unimog vehicles, thus making it a universal solution for open and wide roads, as well as populated areas.

For cities, villages, motorways and mountain passes

VITER is available with three different wing heights, two attack angles and flat or raised side wings. The elements can be combined with each other. Eg. VITER with a wing height of 1000 mm, 15° attack angle and flat side wings is ideal for quiet cleaning of small amounts of snow in populated areas. The 1200 mm high VITER, with a 25° attack angle and raised side wings is ideal for aggressive snow clearing in mountain areas.



WHY CHOOSE THE VITER SNOW PLOW?



✓ Quiet snow clearing in cities

VITER with a wing height of 1000 mm, flat side wings and an attack angle of 15° is ideal for quiet snow clearing in populated areas.

Because of smaller attack angle, it is ideal for working in lower carrying vehicle speed, and throwing snow to a shorter distance.



✓ Aggressive plowing in the mountains

With a wing height of 1200 mm, raised side wings and an 25° attack angle, VITER is ready for the toughest weather conditions.

In this version, it is ideal for cleaning open roads at higher speeds. It can effectively clear snow up to 50 cm deep. A 25° attack angle ensures throwing snow further from the vehicle and the road.



✓ Reliability and strength

Strong wing structure, additional reinforcements and high impact resistance when clearing snow ensure great results while working with VITER.

Attack angle, axial tilt and the choice between scrapers enable complete adaptation to the surface which is being cleaned. Torsion anti-vibration elements reduce the vibrations transmitted to the plow, so it is quieter in operation.

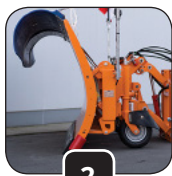


✓ Lowest cost of ownership

Its unique surface protection system, ease of use and maintenance, robust design, high quality materials guarantee a safe investment in the VITER plough.

Proven durability, safety, efficiency, simplicity, and availability of service parts and post-sales support guarantee the total lowest cost of ownership of a spreader currently available on the market.

MAIN CHARACTERISTICS



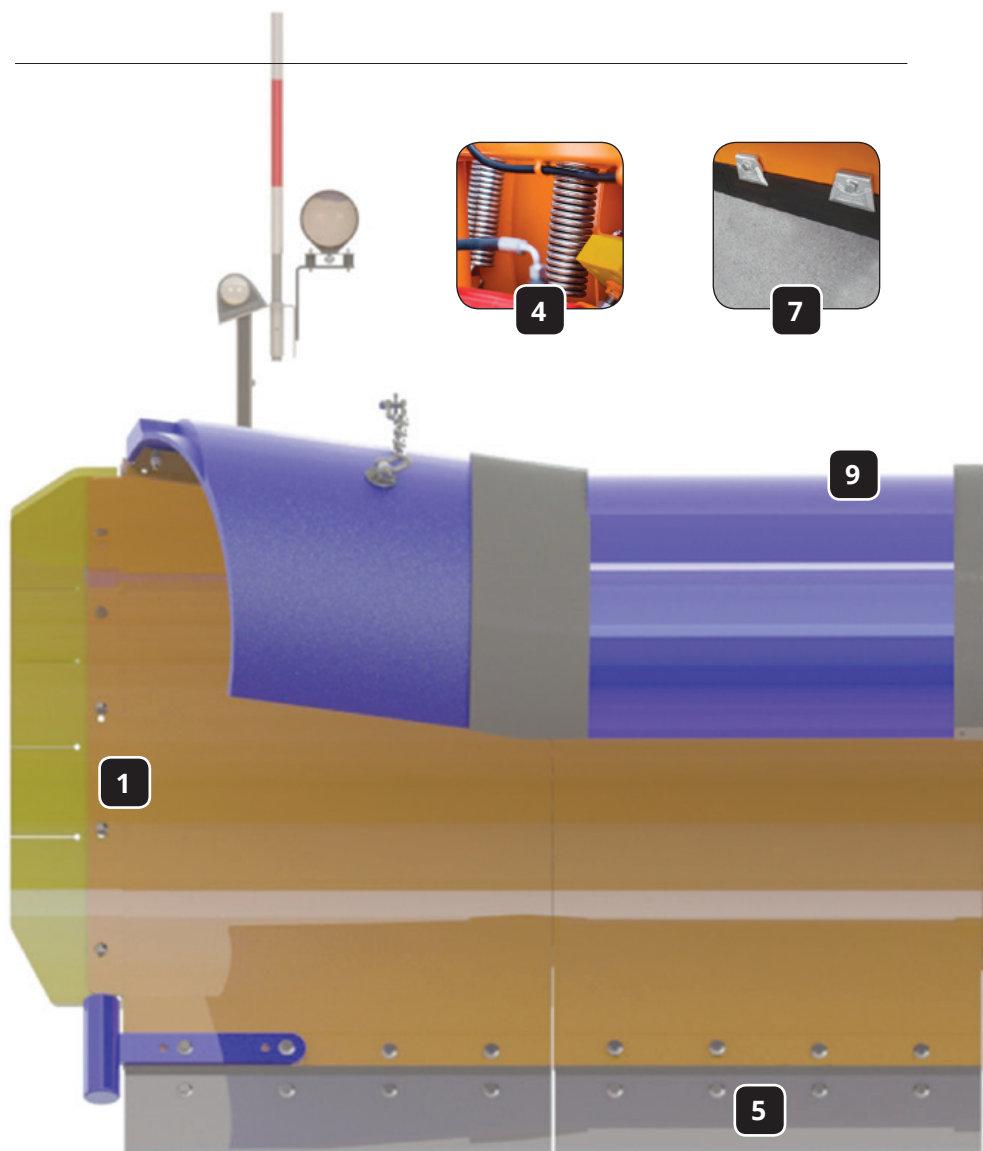
2



4



7



1

9

5

1 | Plow wings

The plow wings are made using robotic welding technology. They are available in heights of 1000, 1100 or 1200 mm. The side wings of the plow can be flat or raised.

2 | Attack angle

VITER is available with two attack angles. Attack angle of 25° is intended for clearing larger amounts of snow at higher speeds. 15° attack angle is ideal for clearing small amounts of snow at lower speeds.

3 | Plow beam

Reinforced double plough beam ensures the plow's resistance to vibrations and outer impacts. A high quality design enables the plow's longevity and robustness.

8 | Mounting system

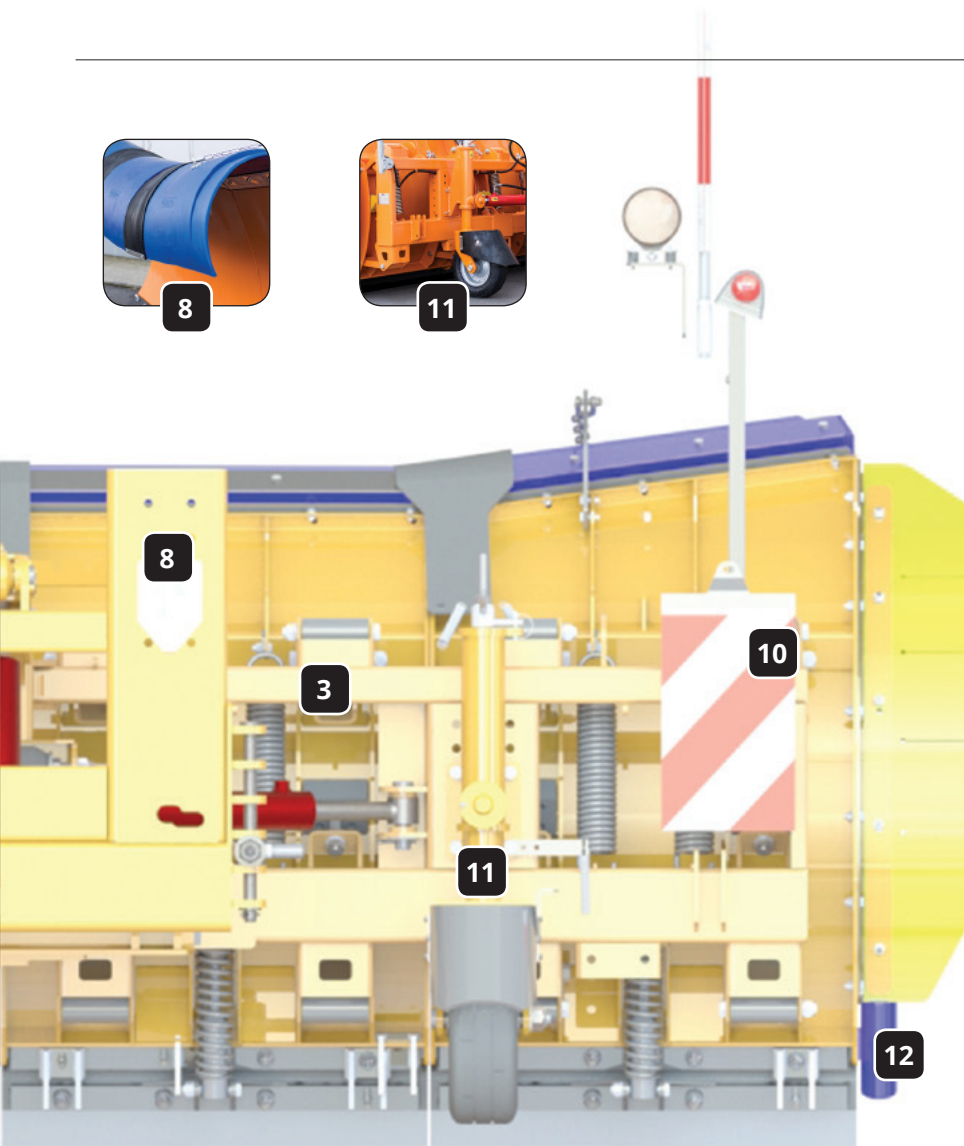
It enables the attachment of snow plows on vehicles in several ways – using different types of mounting plates for trucks and working vehicles or by front three-point attachment on tractors.

9 | Protection from snow

This protection is mounted on the plow wing and protects the wind shield from snow spray, thus enabling safe and unhindered ploughing. Available in two versions: tarpaulin with steel reinforcements and hard protection made of polyurethane.

10 | Traffic signalisation

It improves the visibility of the snow plow and the vehicle ensuring safety during operation and transportation, and is made in accordance with the legal regulations of a particular market. This may include flags, reflective marks, raised front headlights and turn indicators.



4 | Plow wing and beam connections

The wing and beam connections consist of steel rods and springs. They enable reliable removal of large amounts of snow, skipping over obstacles and quick restoring of the plough to the starting position.

11 | Supporting elements

Slide pads and auxiliary wheels support the plow's weight and prevent the plow from sinking into the ground. They extend the lifespan of scrapers and protect the plow and the surface that is being cleared from damage.

5 | Scrapers

The choice of scrapers depends on the surface that is being cleared. VITER ploughs can be equipped with steel or composite scrapers.

6 | Torsion antivibration scraper elements

They reduce the vibrations transmitted to the plow, so it is quieter in operation. They also ensure safe passage over the obstacles.

12 | Side bumpers

They are placed on the outer plow wings and prevent the damage of wings from side impacts of obstacles on the surface that is being cleared. Just like scrapers, they are disposable plow elements and can be easily replaced.

7 | Scraper clamps

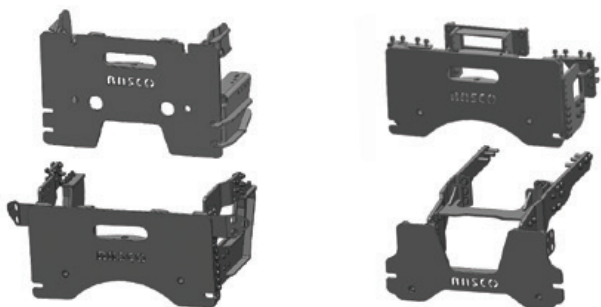
The attachment of scrapers to wings can be performed by means of screws or steel clamps, which enables fast and simple replacement of scrapers.

13 | Storage outside the season

Storage of plows outside the season is made easier with the use of storage legs and storage trolley of adequate bearing capacity. Storage legs and trolley prevent damage of the surface on which the plow is placed and enable easier mounting of the plow on the vehicle.



Easy mounting on all types of vehicles



Mounting using mounting plates

RASCO offers the possibility of producing and installing of mounting plates for various trucks. All mounting plates are created in accordance with the current standards, which guarantees high quality and resistance to damage such as torsion or bending.

Designed for complete efficiency during the operation of attachments and adjustable according to vehicle height, mounting plates enable fast and simple installation of snow plows on almost all types of trucks.



Front three-point attachment on tractors

Beside the possibility of mounting plates for tractors, snow plows can be mounted on front tractor three point hitch, if the vehicle is equipped with one.





Solution for vehicles with and without built-in hydraulic system

Vehicles with built-in hydraulic system

VITER plows can be powered using a built-in hydraulic system of the vehicle if it is designed according to the EN ISO 15431 standard.

If the hydraulic system of the vehicle is equipped with Load Sensing system, the plow must be equipped with a compatible hydraulic installation that is available as an option.



Vehicles without built-in hydraulic system

Power via electro-hydraulic power unit

One of the methods of powering the snow plow is the installation of an electro-hydraulic power unit (EHAG) that connects to the vehicle's electrical system.

EHAG is recommended when there is no need for frequent adjustments of the position of the plow, i.e. while working on motorways, otherwise it can discharge the vehicle's battery.



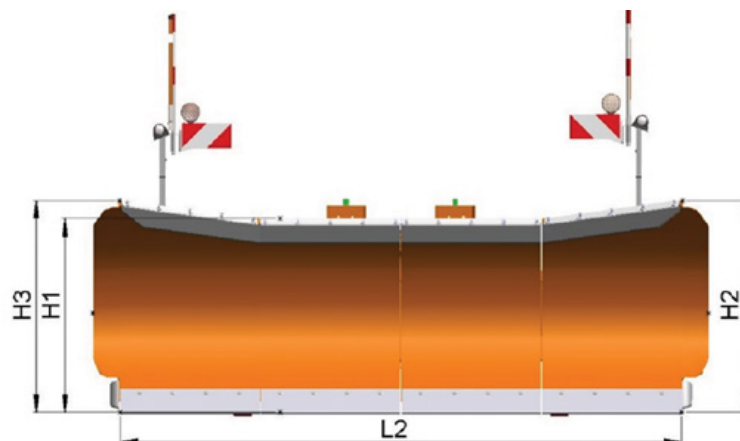
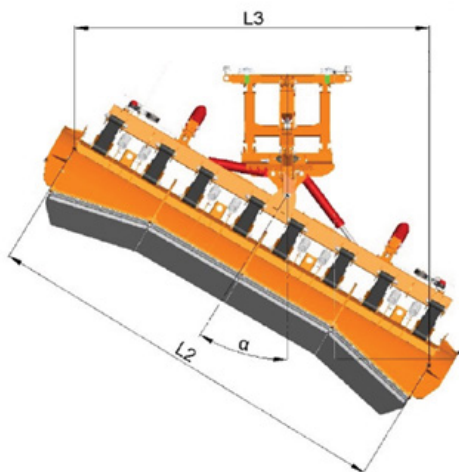
Power via diesel-hydraulic power unit

The snow plow can also be powered via the connection to a diesel-hydraulic power unit installed on the spreader.

Powering via the diesel-hydraulic power unit is recommended when the vehicle is not equipped with an adequate hydraulic system.



TECHNICAL CHARACTERISTICS



Model	H1	H2 H3	L2	L3		β Angle of incidence of steel scrapers
	Height of middle wings	Height of elevated side wings	Scraper length	Scraper length at rotation of		
				32°	36°	
mm						
3.0	1000 / 1100 / 1200	1100 / 1200 / 1350	3000	2544	2428	15° / 25°
3.2			3200	2710	2590	
3.4			3400	2885	2750	
3.6			3600	3055	2915	
4.0			4000	3395	3235	
4.5			4500	3815	3640	

CHOICE OF EQUIPMENT



- 15° or 25° attack angle
- Raised left and/or right wing
- Steel scrapers
- Lateral wing extension from steel or polyurethane
- Composite scrapers
- Scraper clamps
- Torsion antivibration scraper elements
- Front-panel attachment with level cylinder
- Front tractor hydraulic lever three-point attachment
- Slide pads

- Auxiliary wheels
- Protection from snow
- Reflective marks
- Turn indicators
- Clearance marker lights
- Flags
- Storage legs
- Storage legs with wheels
- Electro-hydraulic power unit



RASCO d.o.o.
Kolodvorska 120b
HR - 48361 Kalinovac
CROATIA

+385 48 883 112
rasco@rasco.hr

RascoCompany
Rasco_company

RascoTV
RASCO d.o.o.